



STIFFLERS

CHASSIS & SUSPENSION

1511 Hancel Parkway Mooresville, IN 46158 317-837-2444

Web Brace

1979-2004 Mustangs (WEB-M01)

Stiffeners' Web brace ties together our full length subframe connectors and stiffening rails, creating the ultimate in chassis stiffening! As a key component of **Stiffeners Fully Integrated Technology (FIT) System™**, it provides a structurally engineered network (Web) of additional strength and stiffness, unmatched in today's market. Installation is easy with our **Slide-2-Size™** mounting brackets. No loss of ground clearance and will work with most other manufacturer's rectangular full length subframe connectors too!

(Please read all instructions prior to beginning installation. Contact your dealer with any questions.)

Kit Includes:

- 1 Driver Front Web
- 1 Passenger Front Web
- 1 Driver Rear Web
- 1 Passenger Rear Web

Required Tools:

- MIG Welder
- C-grips or C-clamps
- Floor jack
- Black Rust Preventative Paint

Install Time: Approximately 2 hrs.

NOTE:

- **Requires full length subframe connectors and stiffening rails be present prior to installation.**
- **On '79~'93 convertibles, additional stiffening rails are not required. The Web was designed to work with the factory installed stiffening support located at the pinch weld.**

Installation:

1. Disconnect battery.
2. Raise vehicle to allow access for installation. [NOTE: *It is recommended the vehicle's weight be supported by the suspension during installation. This can be accomplished by using a drive on style lift, ramps or raising the car and positioning jackstands under the suspension.*]
3. Locate driver front brace section marked DF. Position into place by centering mounting brackets in predefined welding areas provided on stiffening rail and subframe connector. Support in place with floor jack using light pressure (Fig.1). [NOTE: *If installing Web brace with another manufacturer's subframe connectors and stiffening rails, refer to Fig.3 for dimensional placement. Once positioned, mark bracket locations and grind areas free of paint and debris before welding.*]
4. With Web brace seated firmly on stiffening rail, pull **Slide-2-Size™** mounting brackets tight against subframe connector and place small tack weld at joint (Fig.2).
5. Remove Web brace and fully weld around **Slide-2-Size™** joints. [NOTE: *To ensure adequate coverage, it is highly recommended to clean and paint these welds at this time.*]
6. Reinstall brace and fully weld all brackets in place.
7. Repeat steps 3~6 for remaining three sections of Web brace.
8. Clean welds with wire brush. Spray all bare metal areas with rust preventative paint. If color matching is desired, use Textured Matte Black paint.
9. Lower vehicle and reconnect battery.



WEB-M01

www.BuyStiffeners.com

Page 1

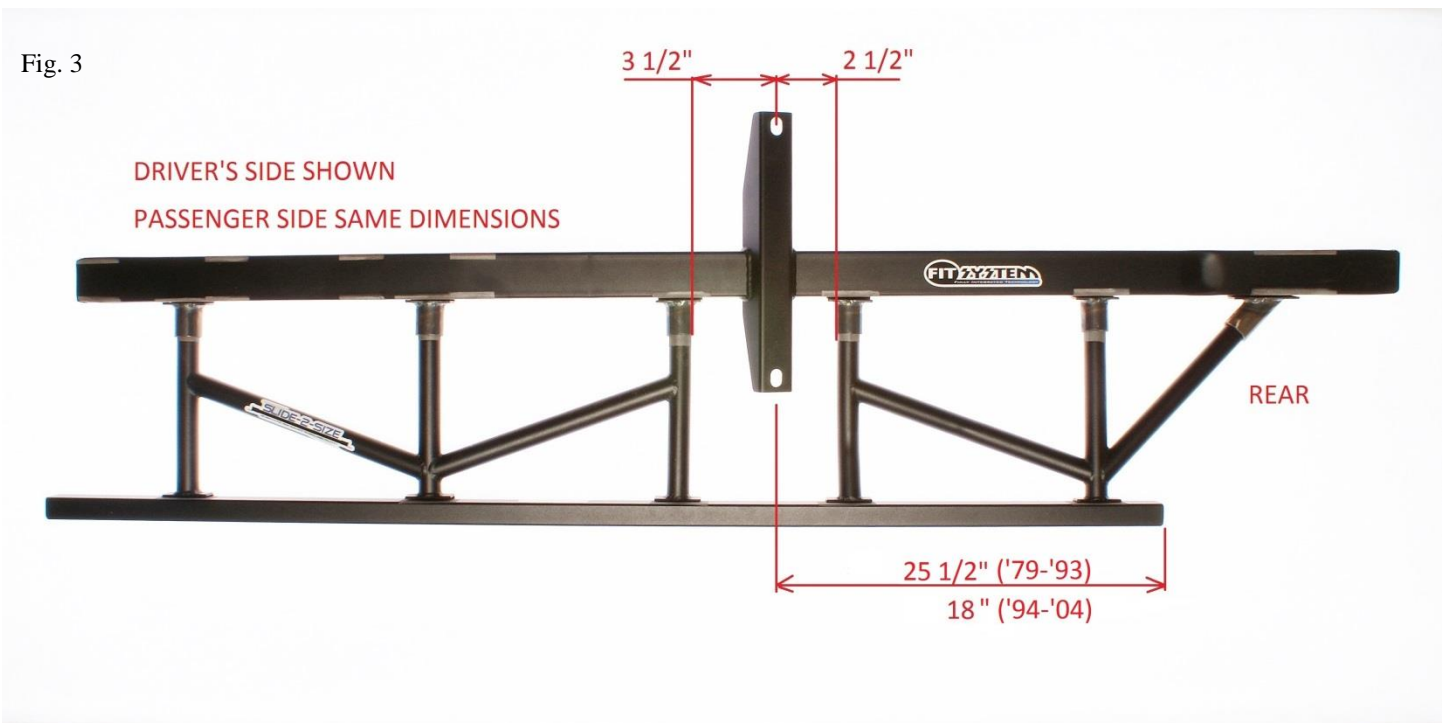
Fig. 1



Fig. 2



Fig. 3



SLIDE-2-SIZE

BY INNOVATIVE PERFORMANCE TECHNOLOGIES